



Connette il mondo ai tuoi Interessi





T4 Turret

The Next Generation of IP Trade turrets
DATASHEET

FOR TRADERS WHO DEMAND THE VERY BEST IN PERFORMANCE





High-Performance, Unified Trading Communications & Collaboration

Introduction

Financial trading professionals must be able to monitor multiple data streams so they can maximize market awareness and inform decision-making while simultaneously communicating and collaborating across the office or the globe with colleagues and market participants – all in real-time.

IP Trade, a pioneer in the design of real-time collaboration software, has introduced the first scalable, highly available and extensible application that unifies all communications streams in a single software-based architecture for trading enterprises.

MARKETS

- Banks
- Brokers
- Commodities
- Exchanges
- Fund Management
- Hedge Funds
- Online Markets
- Proprietary Trading



Solution Overview

IP Trade offers a high-performance, session-management application that is an extension of the enterprise voice and unified communications & collaboration platform and can reside anywhere on the customer network. This architecture truly unifies communications & collaboration across the organization, in essence, “one company, one system.”

This means that all employees, whether on or off the trading floor, can easily identify who is available, share lines, conference and communicate via voice, messaging or video with any user, anywhere and on any device.

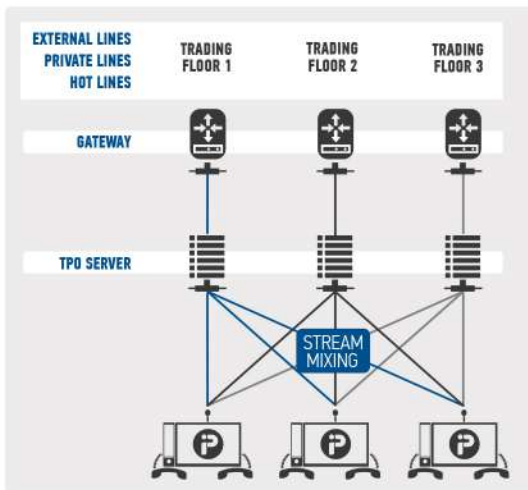
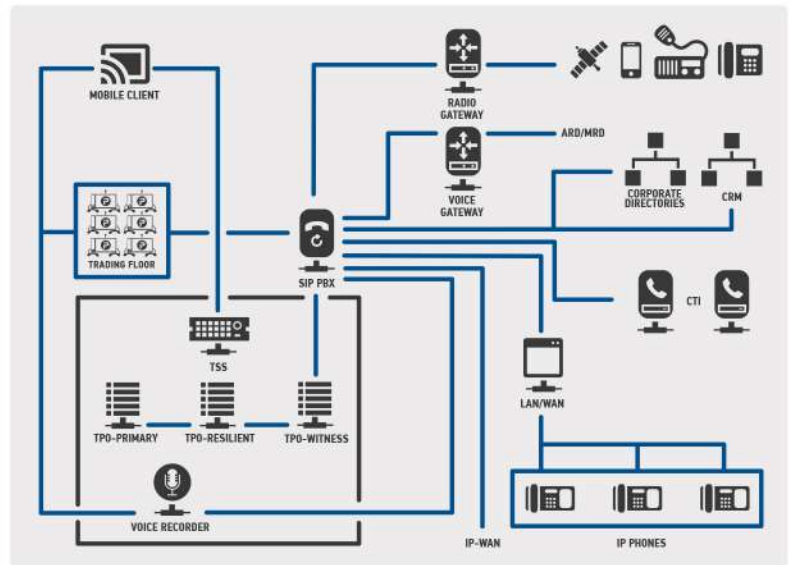
Because IP Trade understands that a trading floor is not a “one size fits all” environment, a series of trading applications and turret form factors are available to suit every type of user.

The IP Trade solution has a scalable, standards-based software architecture based on Session Initiation Protocol (SIP), and is extensible to multiple communications applications and information systems. This facilitates workflow by extending corporate directories, databases, customer relationship management and productivity and collaboration applications already in use throughout the company to the trading floor.

Application Control Panel

The core of the IP Trade solution comprises two scalable, high availability software applications: the Turret Proxy Openline (TPO) and the Turret Support Server (TSS).

These virtualized applications reside on the customer's unified computing servers anywhere on the network and integrate with the enterprise voice application to form a single, unified communications & collaboration platform for all staff irrespective of location, role or device.



Turret Proxy Open Line Server (TPO)

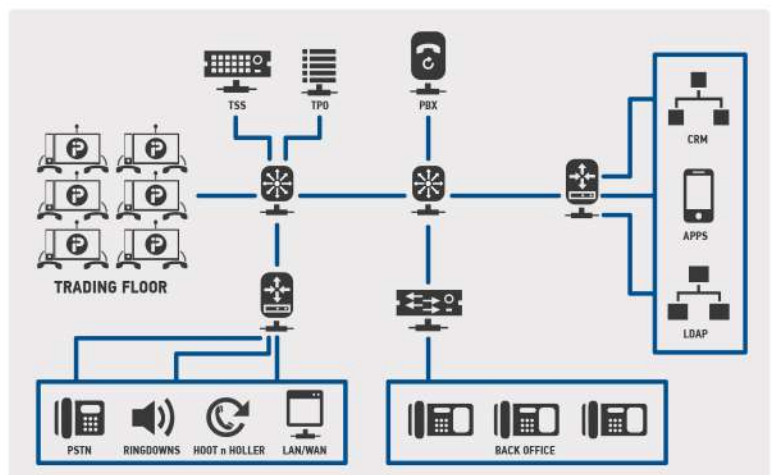
The TPO is the trading turret system feature controller with dynamic conferencing capability that provides the unique communication features, functions and workflow capabilities critical to success for financial traders. Key features include: uncontended trunking, support for multiple simultaneous talk paths, shared one-touch connections, speed dial directories, expanded barge-in, ad hoc conferencing, hoot n holler, intercom, and voice recording integration.

The TPO is recognized as a native SIP device on the enterprise voice application, so virtually all features and applications available to IP phone users are extended to turret users and they can all share lines and show presence.

Turret Support Server (TSS)

The TSS is a web-based management and database application that enables system configuration and management while acting as a central repository for user profiles, enabling secure user authentication and storing system data.

The TSS is also a gateway to other enterprise information systems and applications that may be integrated into the trading floor environment.





IP Trade Turret Unified Communicator®

IP Trade has developed a range of touch-sensitive devices and applications to suit any type of trading firm. From traditional turrets in both 10" and 15" screens to a mobile trading application and an off-floor intercom application for IP Phone users who need to be in direct communication with the trading floor. Sharing lines between turrets and IP phones is standard and support for UC&C applications like video, messaging and presence is available.

Features & Benefits

The IP Trade Turret Unified Communicator® is a touch screen application that enables financial trading professionals traders to quickly and easily visualize, prioritize and process many simultaneous streams of communication.

The UI offers individual or group profiles, a range of peripherals including multiple handsets, gooseneck microphone, wired/wireless headsets, high-fidelity speakers and a built-in video camera.

Each turret can support up to 32 simultaneous media streams, 500 lines and access to 10,000 contacts.





MOBILITY

The Mobile Trader application range offers seamless mobility from the T4, to Android or web platforms (including Apple iPhones) or on Windows. Mobile Trader allows remote working and Disaster Recovery solutions. With a user authentication, each user can work from any turret, telephone, tablet or from a disaster recovery center without losing functionalities, profile, contacts or even call history.

Recording

To ensure your Trading environment complies to MIFID and DODD Frank regulations, IP Trade has an open architecture and standard application programming interface (API) enabling seamless integration with industry leading media recording platforms. (the list of current models and versions supported is available from your sales representative).



Functional description

The T4 is an integrated turret, based on the IP Trade voice architecture and dedicated components for the highest quality and performance. It combines a conventional and highly flexible Intel architecture with Windows 7 embedded providing a natural integration of applications.

CAPABILITY	DESCRIPTION
Display	Capacitive Touchscreen 15" 16/9
Handsets	Push-to-talk, Push-to-mute, Volume control, Red/Blue LEDs (left and right)
Loud Speakers	Amplified loudspeakers, Volume control – Side speakers (can be removed)
Speaker control	Global per line, Sound activity detection displayed on screen
Microphone	High-Fidelity gooseneck microphone
Simultaneous calls	32 (2 handsets, 30 on monitoring applet)
Contact	10.000, (140 visible simultaneously by default), unlimited pages and shared pages
Supported Line types	SIP, Public network, Trader Lines (automatic/manual ringdown) hoot'n holler
Call control via Touch screen	On Hold, Mute, Transfer, Dispatch, Conference, Call Back, Priority Lines, ...
Customisation	Variable background/button colors, private contacts, personalized ringdowns, languages (English, French, Dutch, German, Russian)
USB Ports	8 ports (for headsets and wireless headsets, foot pedals, keyboard, mouse, webcam etc)
Webcam	External (USB)
Telepresence	Integration with Cisco-Tandberg
Applications	Replay on turret, dial from outlook, chrome or firefox, Corporate Directory (LDAP), ...


Table 1. Trading Turret Features & Benefits

Feature	Description
Trading Turret	<ul style="list-style-type: none"> • 10" or 15" model • Configurable Touch Screen UI • Integrated audio/video UI features
Display	<ul style="list-style-type: none"> • 10" or 15" Option • Multi-color LCD • Max. 120 viewable line appearances/30 speaker channels • Unlimited virtual pages • Configurable fixed function keys - Hold/Transfer/Release/Conference/Direct Page/Floating Answer
Speakers	<ul style="list-style-type: none"> • 1-30 speaker channels per turret • 1-4 separate high-fidelity speaker units • Master volume per speaker unit • Individual volume control/LED activity indicator per channel (turret UI) • Multiple muting/broadcast options
Media Channels	<ul style="list-style-type: none"> • 2 x handset (or handset/headset); audio/video streaming to max. 30 channels
Capacity	<ul style="list-style-type: none"> • Max. 500 lines per turret console/10,000 virtual button appearances for lines, speed dials, intercom and features
Call-Handling	<ul style="list-style-type: none"> • Unlimited barge-in, shared lines, conferencing and privacy/privacy release • Programmable color styles • Differentiated ringing profiles • Private and corporate contact directories • Private and group intercom directories • Line labeling up to 32 characters with auto font adjustment • Inbound caller ID matching and display
Recording	<ul style="list-style-type: none"> • Compatible with most major recorders • Call Data Records (CDR) output

Table 2. Trading Turret Unified Communicator Specifications

Feature	Description
Physical dimensions (HxWxD)	<ul style="list-style-type: none"> • 15" without speaker: 230mm x 375mm x 60mm; With one speaker: 230mm x 430mm x 60mm • 10" without speaker: 180mm x 260mm x 40mm; With one speaker and stand: 235mm x 315mm x 40mm
Weight	<ul style="list-style-type: none"> • 4 Kg (with stand) • 3,3 Kg (without stand)
Tilting Angle	<ul style="list-style-type: none"> • From 30° to 80°
Power Requirements	<ul style="list-style-type: none"> • 45W • UPOE Compliant
Call Control Software	<ul style="list-style-type: none"> • Cisco, Avaya, Alcatel, Mitel, Microsoft, Asterisk
Signaling Protocols	<ul style="list-style-type: none"> • SIP (standard and extended)
Codec	<ul style="list-style-type: none"> • G.711μ, G.711a, iLBC (Internet Low BitRate Codec)
Networking	<ul style="list-style-type: none"> • 3 switched 10/100/1000 Ethernet ports • Ethernet redundancy • Sub sec convergence • IEEE.802.1x • IEEE.802.1p/q VLAN tagging and trunking • Rapid spanning tree 802.1w • DHCP (with option) • Diffserv per device (QoS) • ToS per device • IP Multicast Video • SNMP monitoring
Security	<ul style="list-style-type: none"> • Windows XP & 7 Embedded OS (closed system) • Supervision mode password protected • Disablement of USB storage devices • Microsoft certified Anti-Virus software (exclusions apply) • Zone only Administration
VoIP Networks	<ul style="list-style-type: none"> • SIP (standard and extended) • Supported Codec types on WAN: G.711μ, G.711a, iLBC (Internet Low BitRate Codec) • Diffserv per device (QoS) • ToS per device • IEEE.802.1p/q VLAN tagging and trunking
Recording	<ul style="list-style-type: none"> • Active • Separated mode • Up to 32 IP recording streams • Mixed mode • 1 to 10 configurable IP recording streams • Dual stream recording redundancy

Table 2. Trading Turret Unified Communicator Specifications

Feature		Description
Cooling System		<ul style="list-style-type: none"> • Model: NF-A4x10 FLX • Rotational Speed: 4500 RPM • Accoustical Noise dB(A): 17.9 • Max Airflow: 8.2 m³/h
PSU Details	Output	<ul style="list-style-type: none"> • Voltage: 12 V DC • Current: 8 A • Output power: 96 W • DC cord and Jack: 1.2M length 16 AWG with 5.5*2.5mm / 5.5*2.1mm etc DC • Ripple and Noise <120Mv at full road with 20MHz bandwidth
	Input	<ul style="list-style-type: none"> • Rated Voltage: 100Vac~240Vac • Frequency Range: 47Hz~63Hz • conversion efficieny >85% • AC Cable and Plug pins 1.2M length with 2 pins EU plug, IEC C13(Male) AC socket, IEC C14(Female)AC socket and the AC cable in IEC C13 socket
	Protection	<ul style="list-style-type: none"> • Over Voltage, Load & Current / Short Circuit / High Temp
	Temperature	<ul style="list-style-type: none"> • Operating Temperature: 0°C--++60°C • Storage Temperature: -20°C--++85°C
Isolation test/Isolation volatage		<ul style="list-style-type: none"> • Input/output terminal 3000VAC, 5MA
	Other	<ul style="list-style-type: none"> • Type: Desktop • Size(mm): 142x62x35MM • Weight(g): 400G • Shell color: Black • Shell materials: ROHS approved ABS or PC
EMC specifications		<ul style="list-style-type: none"> • EN60950-1 : 2006 • ESD (EN61000 4-2) • EN 55022 EN 55024 • FCC Part 15 subpart B Class B

Table 3. Ordering Information - Trading Turrets/Licenses

Part Number	Description
L-IPT-TUC03-SW=	Touchscreen Trading Turret software with 3 speaker channels bundle
L-IPT-TUC10-SW=	Touchscreen Trading Turret software with 10 speaker channels bundle
L-IPT-TUC30-SW=	Touchscreen Trading Turret software with 30 speaker channels bundle
IPT-PRO-T4	T4 Capacitive Unit (15" screen) - includes one (1) external amplified speaker, two (2) RJ11 handsets, one (1) power supply (Int'l power supply pack) - no microphone
IPT-PRO-T4-SPK-BUN	T4 Capacitive Unit (15" screen) - includes two (2) external amplified speakers, two (2) RJ11 handsets, one (1) power supply (Int'l power supply pack) - no microphone
IPT-PRO-T4-MIC-BUN	T4 Capacitive Unit (15" screen) - includes one (1) external amplified speaker, two (2) RJ11 handsets, one (1) microphone, one (1) power supply (Int'l power supply pack)
IPT-PRO-T4-MIC-SPK-BUN	T4 Capacitive Unit (15" screen) - includes two (2) external amplified speakers, two (2) RJ11 handsets, one (1) microphone, one (1) power supply (Int'l power supply pack)
IPT-PRO-T3M	T3M 10" Touchscreen turret (3 speaker channels) - including one (1) external amplified speaker, one (1) power supply (Int'l power supply pack), two (2) RJ11 handsets - no microphone
L-IPT-TPO-400-SW=	TPO Application Software – 400 concurrent channels
L-IPT-SRV-SW=	TSS Application Software edition

Table 4. Ordering Information - Accessories and Maintenance

Part Number	Description
IPT-PLA-D1	Private line gateway 1T1/E1 port – delivered with IP Trade PLAD
IPT-PRO-HDS-SER3	Profile series handset - HiFi audio - Push-to-talk or Push-to-mute switchable
IPT-PRO-MIC-EXT-50	Profile series external microphone 50cm length
IPT-PRO-SPK-T4	External IP Trade amplified speaker - Slim line - includes one (1) speaker and one (1) power supply cable
PT-PRO-FTPDL	External USB foot pedal
IPT-PRO-TAD-ENT=	TAD (Touchscreen Assistant Device) 15" screen including one (1) handset and (1) power supply (Int'l power supply pack)
IPT-PRO-MAINT-EXT	Extended Maintenance – 12 months, per unit
IPT-PRO-INST-SERV	Standard installation package – 4 days

SPHERA SERVICE s.r.l.

Via IV Novembre, 92
20021 Bollate (MI)
Tel/Fax: +39 02 33 29 41 82

Via Carlo Arturo Jemolo, 185
00156 Roma
Tel/Fax: +39 06 86 97 28 57

Email: info@spheraservice.it
Website: www.spheraservice.it

